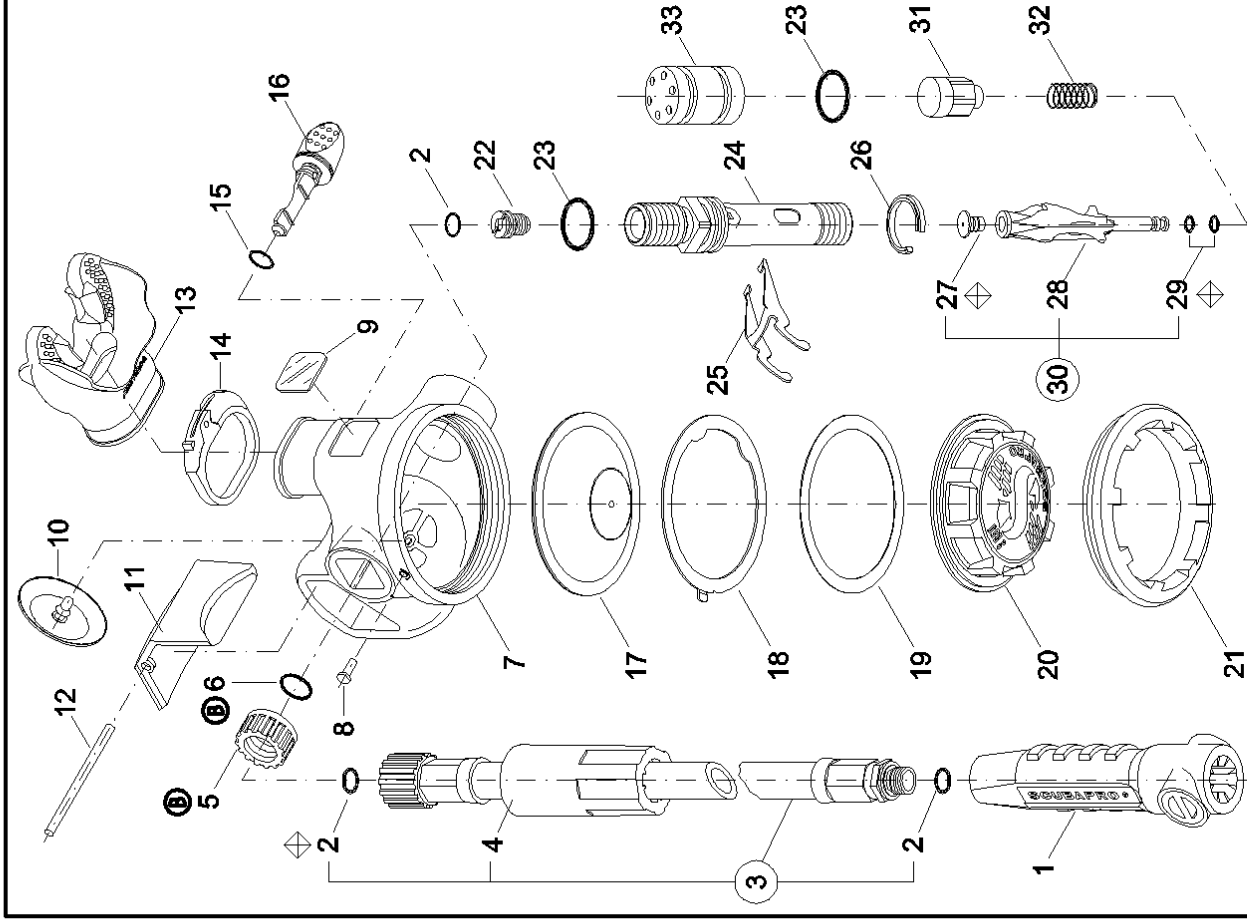


Po.	P/N	DESCRIPTION	DESCRIZIONE	DESCRIPTION	DESCRIZIONE	DESCRIPTION	BEZEICHNUNG
1	11029100	PROTECTIVE SLEEVE	TUBO PROTEZIONE	PROTECTEUR TUYAU	PROTECTEUR TUYAU	Knickschutz	
2	01050132	O-RING	O-RING	JOINT TORIQUE	JOINT TORIQUE	O-Ring	
3	01309030	L.P. HOSE cm. 75	TUBO B.P. cm. 75	TUYAU M.P. cm. 75	TUYAU M.P. cm. 75	ND-Schlauch 75 cm.	
4	11500040	SLEEVE HOSE	MANICOTTO	MANCHON TUYAU	MANCHON TUYAU	Schlauchschutz	
5	11755120	NUT, JAM UNIF.	GHIERA SEDE UNIF.	ECROU MOLETE	ECROU MOLETE	Mutter	
6	01050347	O-RING	O-RING	JOINT TORIQUE	JOINT TORIQUE	O-Ring	
7	11600006	CASE	CASSA	BOITIER	BOITIER	Gehäuse	
8	01075131	PIN, CASE	PERNO CASSA	PIVOT BOITIER	PIVOT BOITIER	Nagel	
9	01006883	DECAL V.I.V.A.	DECAL V.I.V.A.	DECAL V.I.V.A.	DECAL V.I.V.A.	Signet V.I.V.A.	
10	11250103	EXHAUST VALVE	VALVOLA SCARICO	SOUPAPE D'EXPIR.	SOUPAPE D'EXPIR.	Ausblaskappe	
11	11600007	COVER EXHAUST	PORTELLO SCAR.	COUVER. DE SOUP.	COUVER. DE SOUP.	Ventilklappe	
12	11190106	PIN	SPINA	CLAVETTE	CLAVETTE	Sicherungsgesstift	
13	01040141	MOUTHPIECE	BOCCAGLIO	EMBOUT	EMBOUT	Mundstück	
14	01040024	CLIP, QUICK REMOV.	FASCETTA SG. RAPIDO	CLIP DE FIXATION	CLIP DE FIXATION	Mundstück Clip	
15	01050126	O-RING	O-RING	JOINT TORIQUE	JOINT TORIQUE	O-Ring	
16	11500011	FLOW VANE	DEFLETTORE	CORRECT. VENTURI	CORRECT. VENTURI	Regulierschraube	
17	11500012	DIAPHRAGM ASSY	MEMBRANA COMPL.	MEMBRANA COMPL.	MEMBRANA COMPL.	Membrane Komplet	
18	11500035	WASHER, ANTI-FRICTION	ANELLO MEMBRANA	RONDELLE MEMBRANE	RONDELLE MEMBRANE	Sicherungsseheibe	
19	11600050	RING	ANELLO	RONDELLE	RONDELLE	Scheibe	
20	11550010	PURGE COVER	CALOTTA	COUVERGLE	COUVERGLE	Schutz	
21	11500037	RING	GHIERA	BAGUE DE SERRAGE	BAGUE DE SERRAGE	Haltering	
22	11500109	ORIFICE	ORIFIZIO	ORIFICE	ORIFICE	Ventilsitz	
23	01050160	O-RING	O-RING	JOINT TORIQUE	JOINT TORIQUE	O-Ring	
24	11600022	HOUSING	SEDE	LOGEMENT	LOGEMENT	Gehäuse-welle	
25	11600141	LEVER	LEVA	LEVIER	LEVIER	Kipphebel	
26	11500031	RETAINING CLIP KNOB	ARRESTO POMOLO	CLIP DE RETENUE	CLIP DE RETENUE	Sicherungsring	
27	11250221	SEAT	VALVOLA	CLAPET	CLAPET	Ventil	
28	11250220	POPPET	PISTONCINO	POUPEE	POUPEE	Ventilträger	
29	01050363	O-RING	O-RING	JOINT TORIQUE	JOINT TORIQUE	O-Ring	
30	11250015	POPPET ASSY	ASS. PISTONCINO	POUPEE ASSEMBLEE	POUPEE ASSEMBLEE	Ventilträger Komplet	
31	11150102	BALANCE CHAMBER	CAMERA BILANC.	CHAMBRE COMP.	CHAMBRE COMP.	Balace-Kammer	
32	01020216	SPRING	MOLLA	RESSORT	RESSORT	Feder	
33	11550015	PLUG	TAPPO	BOUCHON	BOUCHON	Verschluss	



S-550 SECOND STAGE	
CAT. NO. 11 550 000	
CONFIG. 1	DATE 02 / 01 1 / 1
REV. B	Modified pos. 5 (was P/N 11250106) and pos. 6 (was P/N 01050193)

- <> Torque N·m $+0$
 -0
- [] Torque lb·in $+18$
 -0
- ◇ Annual replacement
- Octopus version

CHECKED