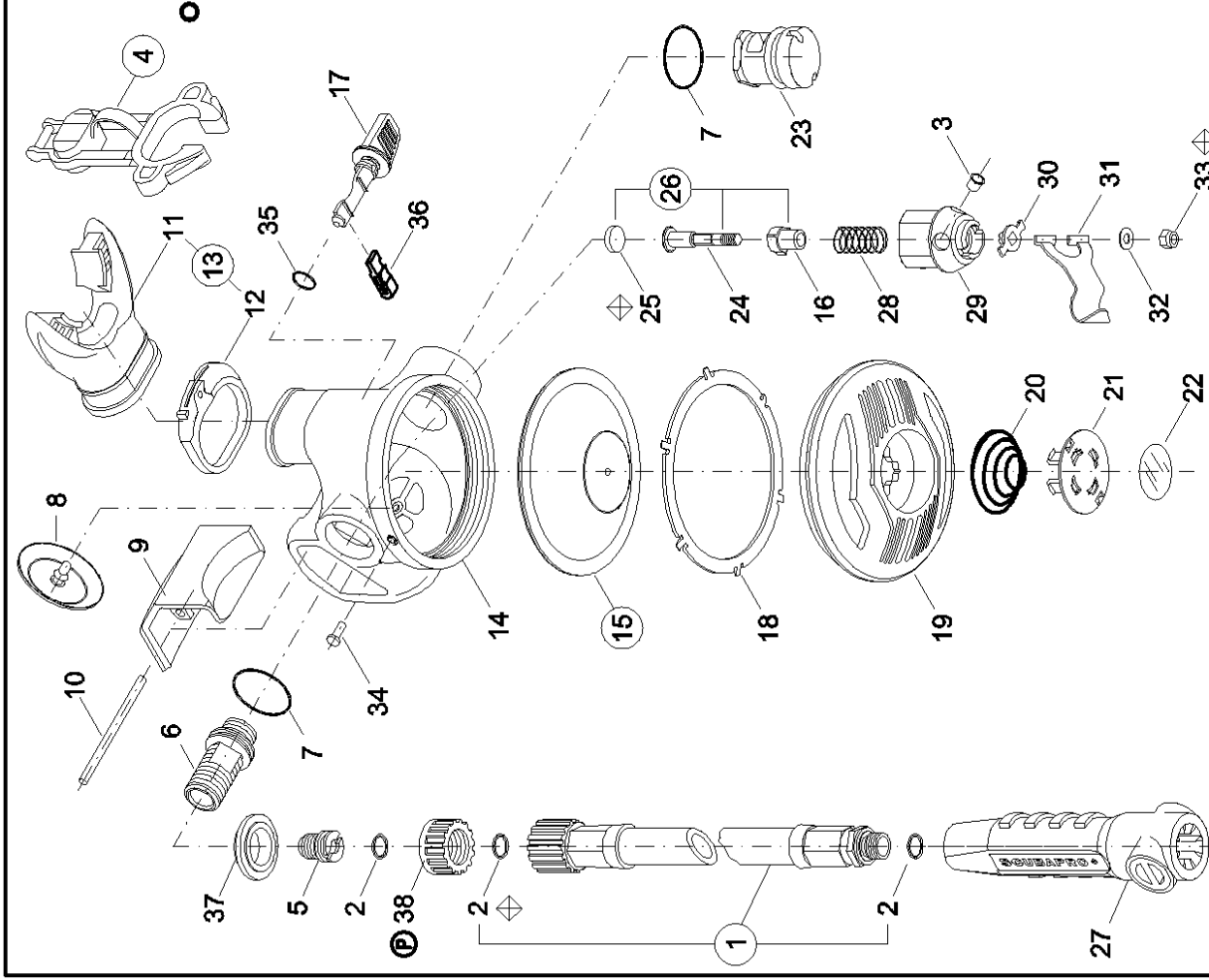


Po.	P/N	DESCRIPTION	DESCRIZIONE	DESCRIPTION	DESCRIPTION	BEZEICHNUNG
1	01309030	L.P. HOSE cm. 75	TUBO B.P. cm. 75	TUYAU M.P. cm. 75	TUYAU M.P. cm. 75	N.D. Schlauch cm. 75
2	01310040	L.P. HOSE cm. 100	TUBO B.P. cm. 100	TUYAU M.P. cm. 100	TUYAU M.P. cm. 100	N.D. Schlauch cm. 100
3	01050132	O-RING	O-RING	O-RING	JOINT TORIQUE	O-ring
4	11300037	PLUG, HOUSING	TAPPO SEDE	BOUCHON LOGEM.	BOUCHON LOGEM.	Schutz gehause
5	01097136	MOUTH.P. PLUG	TAPPO BOCCAGLIO	BOUCHON EMBOUT	BOUCHON EMBOUT	Schutz komplett
6	11500109	ORIFICE	ORIFIZIO	ORIFICE	ORIFICE	Ventilsitz
7	11190219	VALVE BODY	CORPO VALVOLA	LOGEM CLAPET HP	LOGEM CLAPET HP	Ventil Gehäuse
8	01050160	O-RING	O-RING	JOINT TORIQUE	JOINT TORIQUE	O-ring
9	11250103	EXHAUST VALVE	VALVOLA SCARICO	SOUPAPE D'EXPIR.	SOUPAPE D'EXPIR.	Ausblasventil
10	11300024	COVER, EXHAUST	PORTELLO SCARICO	COUVERCLE DE SOUP.	COUVERCLE DE SOUP.	Ventilkappe
11	11300034	COVER, EXHAUST, LIME	PORTELLO SCAR. LIME	COUVERCLE DE SOUP. LIME	COUVERCLE DE SOUP. LIME	Ventilkappe lime
12	01040141	MOUTHPIECE	BOCCAGLIO	EMBOUT	EMBOUT	Sicherungsstift
13	01040024	CLIP, QUICK REMOV.	FASC. SGANCIO RAP.	CLIP DE FIXATION	CLIP DE FIXATION	Mundstück
14	01040051	MOUTH.P. & CLIP, PKG	ASS. BOCCAGLIO & FASC.	ENS. EMBOUT & CLIP	ENS. EMBOUT & CLIP	Mundstück & Clip
15	11300021	CASE	CASSA	BOITIER	BOITIER	Gehäuseanschluss
16	11300008	DIAPHRAGM ASSY	MEMBRANA COMPL.	MEMBRANE + DISQUE	MEMBRANE + DISQUE	Membrane komplett
17	11300027	POPPET	SEDE ALBERINO	POPPET	POPPET	Ventilbolzen
18	11300023	FLOW VANE	DEFLETTORE	CORRECT. VENTURI	CORRECT. VENTURI	Regulierschraube
19	11190117	RING, SPACER	ANELLO CALOTTA	ANNEAU COUVERCLE	ANNEAU COUVERCLE	Ring
20	11300038	COVER, LIME	CALOTTA	COUVERCLE	COUVERCLE	Gehäusedeckel
21	11370034	COVER, LIME	CALOTTA LIME	COUVERCLE LIME	COUVERCLE LIME	Gehäusedeckel, lime
22	01020110	SPRING	MOLLA	RESSORT	RESSORT	Feder
23	11300035	PURGE	PULSANTE	PURGE	PURGE	Luftlöschknopf
24	01006760	DECAL	DECAL	DECAL	DECAL	Signet
25	01006764	DECAL	DECAL	DECAL	DECAL	Signet
26	11190104	PLUG, HOUSING	TAPPO	BOUCHON	BOUCHON	Verschlusszapfen
27	11300028	STEM	ALBERINO	TIGE CLAPET	TIGE CLAPET	Welle
28	11108101	SEAT	PASTIGLIA	CLAPET	CLAPET	Dichtsitz
29	11300003	POPPET ASSY	ASS. PISTONCINO	ENS. POPPET	ENS. POPPET	Ventilbolzen komplett
30	11029100	PROTECT. SLEEVE	PROTEZ. TUBO	PROTECT. TUYAU	PROTECT. TUYAU	Knickschutz
31	11029400	PROTECT. SLEEVE LIME	PROTEZ. TUBO LIME	PROTECT. TUYAU LIME	PROTECT. TUYAU LIME	Knickschutz lime
32	01020216	SPRING	MOLLA	RESSORT	RESSORT	Feder
33	11190105	HOUSING	SEDE VALVOLA	LOGEMENT	LOGEMENT	Ventilgehäuse
34	21080121	INSERT, HOUSING	INSERTO SEDE	INSERT	INSERT	Einsatz
35	11190118	LEVER	LEVA	LEVER	LEVER	Kipphebel
36	01060108	WASHER	RONDELLA	RONDELLE	RONDELLE	Scheibe
37	01122101	NUT	DADO	ECROU	ECROU	Mutter
38	01075131	PIN CASE	PERNO CASSA	PIVOT BOITIER	PIVOT BOITIER	Nagel
39	01050126	O-RING	O-RING	JOINT TORIQUE	JOINT TORIQUE	O-ring
40	11380022	FLOW REDUCER	RIDUTTORE FLUSSO	REDUCTEUR DE FLUX	REDUCTEUR DE FLUX	Kleinsteller
41	11190217	WASHER	RONDELLA CORPO	RONDELLE	RONDELLE	Scheibe
42	11755120	NUT, JAM UNIF.	GHIERA UNIF.	ECROU MOLETTE	ECROU MOLETTE	Mutter



R190 SECOND STAGE / OCTOPUS	
CAT. NO. 11-300-000 / 11-314-000	
CONFIG. 12	DATE 02/01
REV. P	Modified pos. 38 (was P/N 11755115)
1 / 1	

- <> Torque N·m ⁺² ₋₀
- [] Torque lb·in ⁺¹⁸ ₋₀
- ◇ Annual replacement
- Octopus version