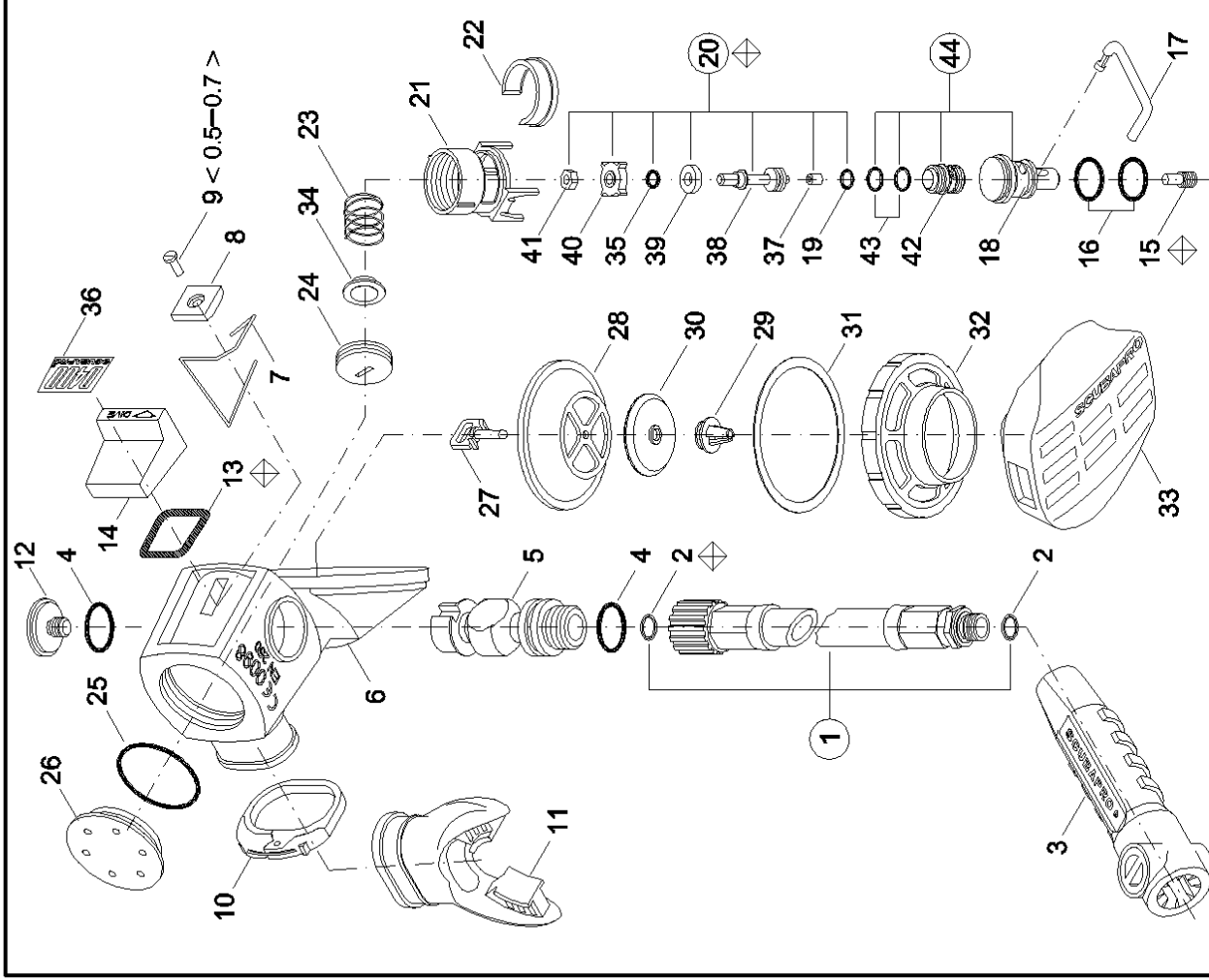


Po.	P/N	DESCRIPTION	DESCRIZIONE	DESCRIPTION	DESCRIPTION	BEZEICHNUNG
1	01309030	L.P. HOSE cm. 75	TUBO B.P. cm. 75	TUYAU M.P. cm. 75	TUYAU M.P. cm. 75	ND-Schlauch cm. 70
2	01050132	O-RING	O-RING	O-RING	JOINT TORIQUE	O-ring
3	11029100	PROTECT. SLEEVE	TUBO PROTEZIONE	PROTECTION TUYAU	PROTECTION TUYAU	Knickschutz
4	01050160	O-RING	O-RING	O-RING	JOINT TORIQUE	O-ring
5	11011102	INLET	ATTACCO FRUSTA	TUBE D'ADMISSION	TUBE D'ADMISSION	Korper
6	11011019	CASE	CASSA	BOITIER	BOITIER	Gehäuse
7	11011118	SWITCH SPRING	MOLLA COMMUT.	RESSORT BLOC. LEVIER	RESSORT BLOC. LEVIER	Schaltfeder
8	11011114	RETAINER, SWITCH	FERMO MOLLA	RETENUJE DE POUSSOIR	RETENUJE DE POUSSOIR	Hintere Schaltfeder
9	01101132	SCREW	VITE	VIS	VIS	Schraube
10	01040024	CLIP, QUICK REMOV.	FASCETTA SG. RAPIDO	CLIP DE FIXATION	CLIP DE FIXATION	Mundstück Clip
11	01040141	MOUTHPIECE LIGHT	BOCCAGLIO LIGHT	EMBOUT 'LIGHT'	EMBOUT 'LIGHT'	Mundstück 'Light'
12	11011117	RETAINER, INLET	ARRESTO ATTACCO	RETENUJE TUBE	RETENUJE TUBE	Verschlusszapfen
13	11014212	RING	ANELLO	ANNEAU	ANNEAU	Ring
14	11012002	SWITCH	COMMUTATORE	POUSSOIR DIVE	POUSSOIR DIVE	Schieber
15	11011120	SET SCREW	VITE REGISTRO	VIS LEVIER	VIS LEVIER	Schrauben-Set
16	01050147	O-RING	O-RING	JOINT TORIQUE	JOINT TORIQUE	O-ring
17	11014103	LEVER	LEVA	LEVIER	LEVIER	Klapphebel
18	11014109	HOUSING	SEDE	LOGEMENT CLAPET	LOGEMENT CLAPET	Ventilrohr
19	01050323	O-RING	O-RING	JOINT TORIQUE	JOINT TORIQUE	O-ring
20	11014012	POPET ASSY	VALVOLA COMPL.	ENS. CLAPET	ENS. CLAPET	Kolben
21	11011105	ASPIRATOR	DIFFUSORE	ASPIRATEUR	ASPIRATEUR	Distanzrohr
22	11011115	FLOW DIRECT. ASPIR.	ANELLO DIFFUSORE	BAGUE REGLAGE DEBIT.	BAGUE REGLAGE DEBIT.	Ring
23	01020155	SPRING	MOLLA	RESSORT BLOC. LEVIER	RESSORT BLOC. LEVIER	Feder
24	11015206	ADJUST. PAD	REGOL. MOLLA	REGL. RESORT	REGL. RESORT	Regulier.Feder
25	01050177	O-RING	O-RING	JOINT TORIQUE	JOINT TORIQUE	O-ring
26	11011126	CAP	CAPPUCCIO	CHAPEAU	CHAPEAU	Kappe
27	11011103	LINKAGE, LEVER	ASTINA	BIELLETTA	BIELLETTA	Membran-Zugstange
28	11011003	DIAPHRAGM ASSY	ASS. MEMBRANA	ENS. DIAPHRAGME	ENS. DIAPHRAGME	Membrane komplett
29	11011110	RETAINER, EXHAUST	FERMO VALV. SCAR.	RETENUJE VALVE EXPIR.	RETENUJE VALVE EXPIR.	Einstelnmutter
30	11011109	VALVE, EXHAUST	VALVOLA SCARICO	VALVE D'EXPIRATION	VALVE D'EXPIRATION	Ausblasventil
31	11011111	WASHER, THRUST	RONDELLA	RONDELLE	RONDELLE	Scheibe
32	11011122	COVER, DIAPHRAGM	GHIERA	COUVERCLE	COUVERCLE	Ring
33	11011116	COVER, RUBBER	CALOTTA GOMMA	CAPUCHON BOITIER	CAPUCHON BOITIER	Membranschutzhkappel
34	11015306	SPRING PAD	DISCO FRIZIONE	DISQUE FRICTION	DISQUE FRICTION	Platte
35	01050363	O-RING	O-RING	JOINT TORIQUE	JOINT TORIQUE	O-ring
36	01006604	DECAL	DECAL	DECAL	DECAL	Signet
37	11012107	FRICTION CAP	CAPPUCCIO FRIZIONE	CHAPEAU FRICTION	CHAPEAU FRICTION	Kappe
38	11012106	STEM	ALBERINO	TIGE	TIGE	Welle
39	11015015	SEAT ASSY	ASS. VALVOLA	ENS. CLAPET	ENS. CLAPET	Ventil komplett
40	11014252	POPET	SEDE VALVOLA	LOGEMENT	LOGEMENT	Ventilgehäuse
41	01121218	NUT	DADO	ECROU	ECROU	Mutter
42	11012108	ORIFICE	ORIFIZIO	ORIFICE	ORIFICE	Ventilsitz
43	01050360	O-RING	O-RING	JOINT TORIQUE	JOINT TORIQUE	O-ring
44	11014009	HOUSING ASSY	ASS. SEDE	ENS. LOGEMENT CLAPET	ENS. LOGEMENT CLAPET	Ventilrohr komplett



D-400 SECOND STAGE	
CAT. NO. 11-114-000	
CONFIG. 8	DATE 02 / 01
REV. I	1 / 1

- <> Torque N·m ⁺² ₋₀
- [] Torque lb·in ⁺¹⁸ ₋₀
- ◇ Annual replacement
- Octopus version